



**Instruction Manual**  
**Twin Induction Cooker**  
**Model CT 70**  
**Order no. 301-1070**





# **Instruction Manual**

## **Twin Induction Cooker**

### **Model CT 70**

**Order no. 301-1070**

- 1.) General Notes**
- 2.) Safety Notes**
- 3.) Safety Precautions**
- 4.) Operating**
- 5.) Cleaning**
- 6.) Trouble Shooting**
- 7.) Technical Data**
- 8.) Diagram**

### **1.) General Notes**

- Carefully read these instruction manual through as they contain important information.
- It is advisable to keep the instruction manual in a place where you have them always ready to hand. Should you pass the induction cooker on to a third party, this instruction manual must be handed on.
- The induction cooker must only be used for preparation and warming up of foods. Improper use can cause damages and lead to the loss of the warranty.
- Before you connect the induction cooker, make sure that the type of current stated on the identification plate corresponds with your mains supply.
- In the case of fault and/or malfunction, pull the plug out of the socket and inform your dealer. He will carry out the repair with original spare parts.
- Please observe the local regulations concerning accident prevention and disposal.
- The manufacturer/dealer cannot be made responsible for damages which arise through not observing these operating instructions. Apart from this, if these instructions are not observed, induction cooker safety is no longer guaranteed.

### **2.) Safety Notes**

- Place the induction cooker on a stable and level surface (never on a flammable surface, e.g. carpet, table cloth etc.). Keep a minimum distance of 10 cm to walls or other items. Note: Do not block the ventilation slots of the device. This may overheat the device.
- As soon as you have unpacked the induction cooker, check whether everything is in a faultless condition. If you are in any doubt, do not use it and contact immediately the dealer who sold it to you.
- All the packaging items must not be left within reach of children, in that they are potential sources of danger.
- Installation must be carried out exclusively by qualified and authorized staff, in compliance with current national standards and following the manufacturer's instructions.
- Do not place the induction cooker near to gas or electric ovens and/or other sources of warmth. Take care that no curtains or other flammable materials come into contact with the oven when it is in use.

- Use only compatible induction cookware. For best results, use pans/pots with a diameter between 12 and 26 cm. If the diameter is smaller than 5 cm the cooker will not function.
- Don't touch the hot surface of the glass field. Please note: the induction cooker does not heat up itself during cooking, but the temperature of the cookware heats up the hotplate.
- Do not place any empty containers on the induction cooker. Heating an empty pan/pot will automatically activate the overheating protection device and the cooker will shut off.
- Cable and plug must not be touched with water.
- Do not plug into a socket where several other appliances are plugged in.
- Do not pull the plug out of the socket by the cable.
- The cable must not hang over table edges and/or sharp edges. It also must not come into contact with the hot appliance surface or with water.
- Check regularly the cable. If it is damaged, it must be exchanged by a qualified specialist.
- Do not place the induction cooker next to devices or objects, which react sensitively to magnetic fields (e.g. radios, TV, cassette recorders, etc.)
- Do not leave the oven unattended while it is in use. Children are not able to realise dangers when handling electronic appliances.
- Do not place any metal objects on the induction cooker.
- Do not move the induction cooker while cooking or with hot cookware on top of it.
- The glass top is of strong, hard, and non-porous properties. But, in case of breakage, even it's only slight cracking, disconnect the appliance from the mains immediately and contact your dealer.
- Do not use the oven outdoors.
- Scientific tests have proven that induction cookers do not have a risk for persons with pacemaker. Nevertheless they should keep a minimum distance of 30 cm to the cooker while it is in operation.
- Before each cleaning session, allow the cooker to cool and pull the plug out of the socket.
- Unplug when not in use.
- Do not operate the induction cooker if it has been damaged in any manner. Disconnect the cooker from the power supply immediately and contact the customer service.
- Repairs may only be undertaken by a qualified specialist using original spare parts.

### **3.) Safety Precautions**

- 1.) If the induction cooker is left on for more than 60 seconds without a pan or with an incompatible pan, the unit will automatically shut off.
- 2.) If the pan's material or it's dimension are not suitable for this induction cooker, the pan indicator will not light.
- 3.) The unit is equipped with "over heating protection device", which will stop power temporarily when top plate temperature reaches 250°C ( +/- 20°C). The power will start again automatically when the temperature of top plate reduced.
- 4.) Clean the air-filter (4) daily, make sure fresh air-flow.

#### 4.) Operating

- 1.) Place a suitable pan with the food to be cooked on central position top plate. Do not place the pan without food on the cooker.
- 2.) Turn on power by pushing the power ON/OFF key (8). The control light (9) will illuminate, if you put a suitable pan/pot for induction with a diameter of more than 5 cm on the cooker.
- 3.) If the control light does not illuminate and the cooker makes a bleep, then there is no pot/pan on the cooker or the diameter of the pot/pan is smaller than 5 cm.
- 4.) Setting of the heating stages.  
The heating stages are indicated in the display (11) by a bar. They start with stage 1 (minimum) and end with stage 9.  
For the setting of the heating stages the cooker offers 2 possibilities.
  - a) Rotate the toggle (12) within 5 seconds while push the on/off button or
  - b) push the pre-set buttons, to select the desired power level.
- 5.) This appliance is equipped with "over heating protection device", which will stop power temporarily when top plate temperature reaches 250°C (+ -20°C). The power will start again automatically when the temperature of top plate reduced. If you put an empty pan on it, and heat-up at maximum power, it will reach 250°C very soon. So, the safety device will stop output power temporarily to prevent over-heating. Upon this situation, the heating indicator light will flash to indicate the over heating protection function is on.
- 6.) After the cook procedure switch the equipment off (8) and pull the plug from the plug socket.

#### 5.) Cleaning

- Clean after each use.
- Allow the cooker to cool.
- Switch off the device and disconnect the power plug from the socket.
- Wipe off the glass field with a damp cloth or use a mild, non-abrasive soap solution.
- Make sure that the bottom of the cookware does not scrape across the surface.
- Do not use benzine, thinner, scrubbing brush or polishing powder to clean the cooker.
- Note: Check and clean air-filter daily. Make sure to remain fresh air in-coming smoothly.

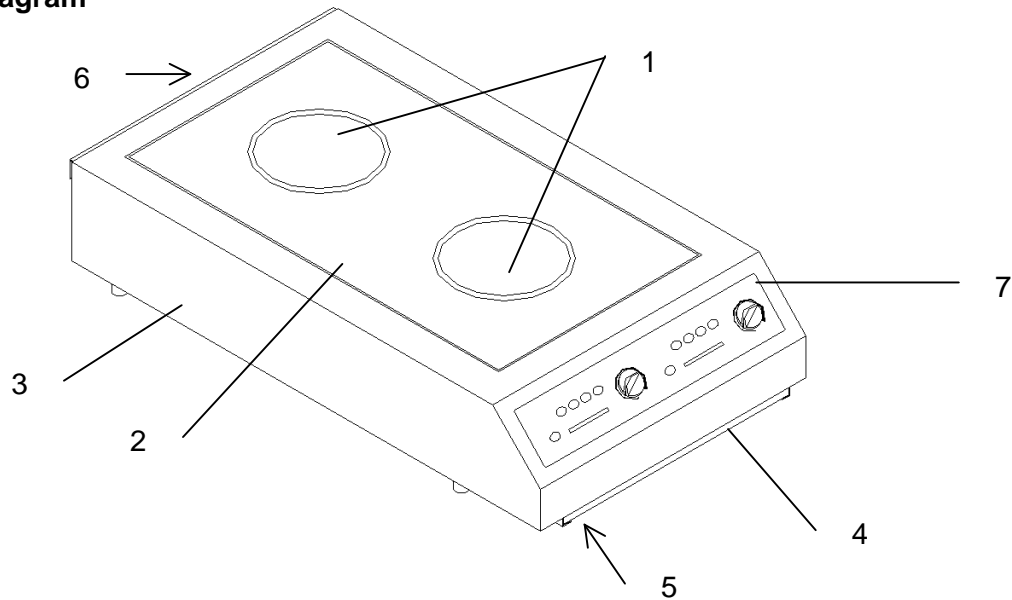
#### 6.) Trouble Shooting

No indication light when power „on“	Cable/terminal block is loosed. Broken circuit of fuse; or automatic switch in your house Power supply stopped.
Heating indicator does not light-in. Appliance fails to heat up.	Unsuitable cooking utensil. Utensil doesn't located at the centre properly. Over-heating protection is activated.
Appliance suddenly stops heating during operation	High ambient temperature Air entrance or outlet blocked. Over-heating protection activated.

**7.) Technical Data**

Model	CT-70
Connection	230V / 50Hz / 2 Ph.
Power	2 x 3,5 kW
Electric Power Range	300 watt to 3,5 kW (9 stages)
Safety Device	a) Automatic Safety Shut-Off
	b) Material Compatibility Detector
	c) Small Object Detector
	d) Overheating Protection Device
Dimensions	w 400 x d 735 x h 197 (included feed)

**7.) Diagram**



- 1. Cooking Fields
- 2. Ceramic Top Plate
- 3. Bottom Chassis
- 4. Slide-in-air-filter
- 5. Air-Intake
- 6. Air-Outlet
- 7. Control Panel
- 8. Power On/off Key
- 9. "Heating" indicator light
- 10. Keys "heating stages: 1, 4, 7 and 9"
- 11. Display
- 12. Toggle for heating stages

**7 Control Panel**

