



saro
Gastro-Products

Manual instructions

Cup warmer Model „ATHOS“

Order-nr. 317-2050



Manual

CONTENT

- TECHNICAL OVERVIEW.....3**
- SCOPE OF DELIVERY3**
- NORMS AND DIRECTIVES3**
- GENERAL NOTES4**
- SYMBOLS EXPLANATION5**
- SAFETY NOTES6**
- PUTTING INTO OPERATION7**
- CLEANING7**
- CIRCUIT DIAGRAM8**
- EXPLODED VIEW8**
- PACKAGING AND DISPOSAL9**

TECHNICAL OVERVIEW

MODEL	ATHOS
Order Nr.	317-2050
Dimensions (mm)	W 320 x D 320 x H 545
Weight (kg)	10,5 kg
Capacity	for appr. 48 cups
Material	Stainless steel
Connection (V/F./kW)	230 V – 50Hz - 0,14 kW
EAN-Code	4017337 317097

Subject to technical and design changes!

SCOPE OF DELIVERY

- 1 x cup warmer
- 1 x manual instruction

NORMS AND DIRECTIVES

The unit complies with the current EU standards and directives.

If required, we will send you the corresponding declaration of conformity.



The unit is designed for dry use only.

No water may be poured into the appliance (bottom of the appliance)!

GENERAL NOTES

- Carefully read these operating instructions as they contain important information for the safe and correct use of the appliance
- It is advisable to keep the operating instructions in a place where you have them always ready on hand.
- Should you pass the appliance to a third party, these operating instructions should be handed over.
- As soon as you have unpacked the cup warmer, check whether everything is in a faultless condition. Should anything be damaged, do not connect the appliance as such, but inform your dealer.
- Keep the packaging of the unit. You may need it if you move house or if you have to send the appliance in for repair. If storage is not possible, separate the different packaging materials and deliver them to the nearest collection point for proper disposal. Please note that all parts of the packaging (plastic bags, cardboard, polystyrene parts, etc.) can be dangerous for children and must therefore not be stored near them.
- The appliance has been manufactured for commercial use, namely to preheat coffee cups or pots. Misuse may cause damage and will invalidate the guarantee.
- In the event of a malfunction and/or failure, switch off the appliance. Disconnect the mains plug from the socket and notify your dealer. He will carry out the repair with original spare parts.
- Observe the accident prevention regulations and the general safety regulations applicable to the area of use.
- The manufacturer/dealer cannot be held responsible for damage caused by failure to observe these operating instructions. In addition, the safety of the appliance is then no longer guaranteed.

SYMBOLS EXPLANATION

WARNING!



This symbol indicates dangers that can lead to injuries.

It is imperative that you observe the specified instructions for work safety exactly and act with particular caution in these cases. .

WARNING: DANGER FROM ELECTRIC CURRENT!



This symbol draws attention to dangerous situations caused by electric current. Failure to observe the safety instructions may result in injury or death!

WARNING: HOT SURFACE - RISK OF BURNS!



This symbol indicates the hot surface of the appliance during and after operation. Danger of burns if not observed!

SAFETY NOTES

- The appliance may only be used when in perfect condition and by trained personnel.
- Place the appliance upright on a stable, horizontal and heat-resistant surface and ensure that there is some free space for good air circulation. Also, there must be no combustible materials in the immediate vicinity, e.g. curtains.
- Do not use the appliance outdoors..
- The appliance may only be connected to a properly installed socket. Do not connect any other appliance to the same socket. The socket must always remain accessible so that the appliance can be disconnected from the mains in an emergency case.
- Do not touch the appliance, the power cord or the power plug with wet hands
- When pulling the mains plug, always pull on the plug housing and not on the cable. Always switch off the appliance first..
- The cable must not hang over table corners or sharp edges.
- Do not use extension cords or adapters.
- The cable must not come into contact with hot parts or water.
- Check the cable regularly. If it is damaged, e.g. by being crushed, it must be replaced by a qualified specialist.
- Do not leave the appliance unattended during use. Be especially careful when children are around because they cannot recognise the dangers of handling electrical appliances.
- Be aware that the outer surfaces heat up during operation.
- Do not move the appliance when it is switched on or when cups or jugs are in it.
- Before any cleaning, repair or if you do not intend to use the appliance for a long time, switch the appliance off and unplug it from the mains. Allow the appliance to cool down completely. Clean the appliance with a warm, damp cloth. Caution: do not use a dripping wet cloth, high-pressure cleaner or water jet.
- Never immerse the unit, the mains cable or the mains plug in water or other liquids. There is a danger to life from electric shock!
- Never use a defective unit or a unit with a damaged cable..
- Replacement of the cable and repairs may only be carried out by a qualified specialist, using spare parts recommended by the manufacturer. These comply with the technical requirements. Modifications and alterations to the product are prohibited. Never attempt to carry out repairs to the unit yourself. There is a risk of electric shock!

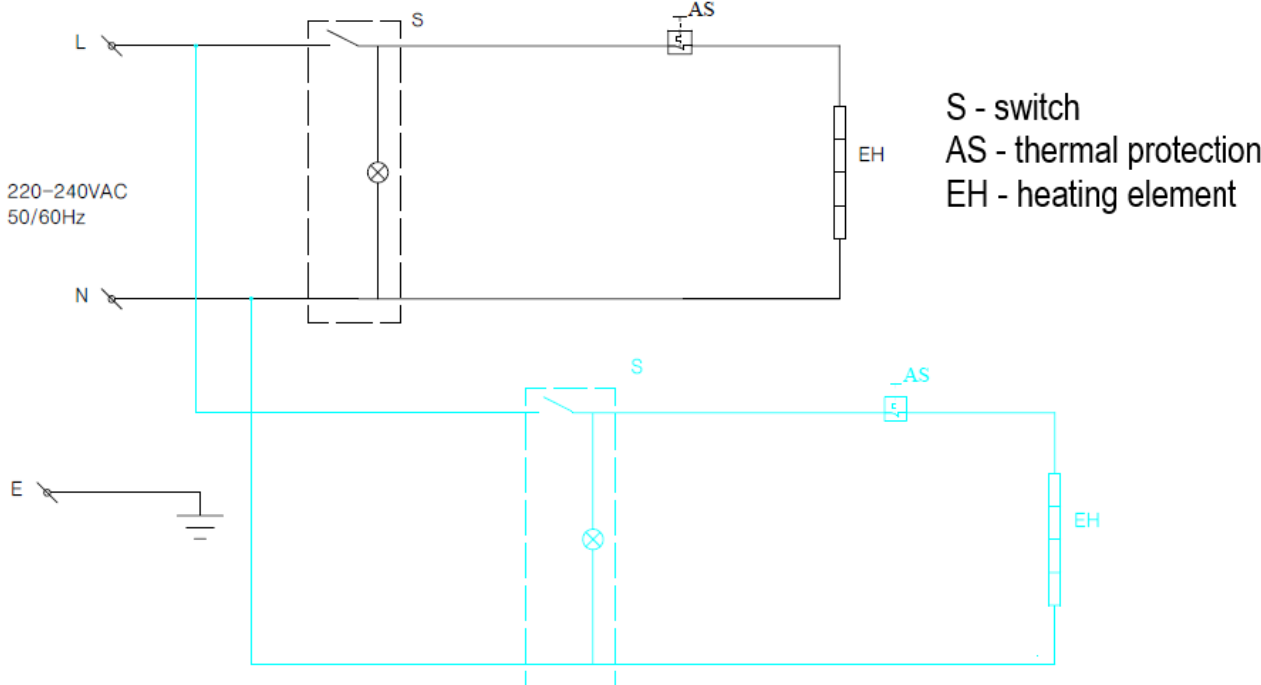
PUTTING INTO OPERATION

- Clean the appliance with a warm, damp cloth, dry everything and then place the cups or pots in the appliance.
- Make sure that there is a space between the cup warmer and the coffee maker to prevent heat build-up.
- Insert the plug into the socket.
- Switch the appliance on, according to the level(s) to be heated.
- The appliance may produce a smell at the beginning. This is due to the heating rods and is completely normal.
- When you no longer need the appliance, switch it off and unplug it.

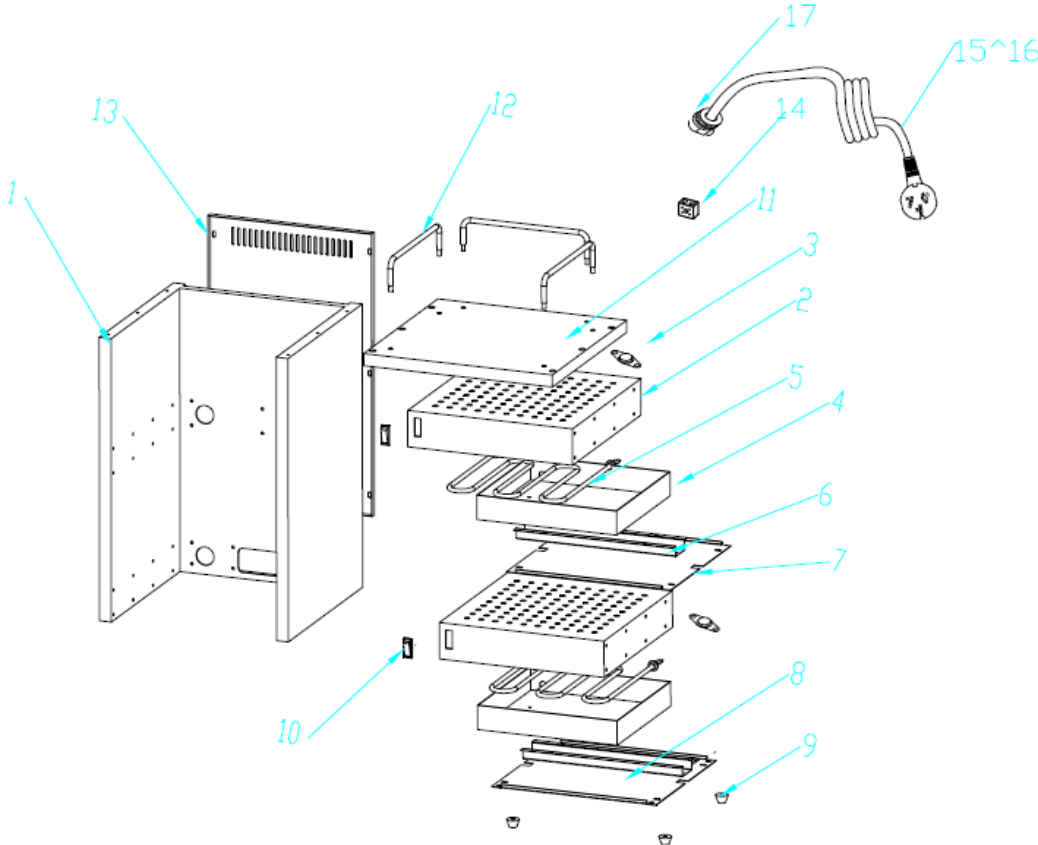
CLEANING

- For hygienic reasons, the appliance should be cleaned daily.
- Always switch off the appliance first and unplug it from the mains.
- Let the appliance cool down.
- Use a damp, warm cloth and a mild cleaning agent.
- Do not use aggressive agents, scouring pads, etc.
- Never place the appliance in water.
- Do not spray the appliance with a water jet or high-pressure cleaner.

CIRCUIT DIAGRAM



EXPLODED VIEW

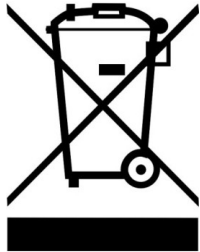


PACKAGING AND DISPOSAL



Please separate the packaging materials accordingly and take them to the responsible collection points for recycling and environmental protection.

DISPOSAL



Once the appliance has reached the end of its service life, please dispose of it properly at a collection point for electrical appliances. Electrical appliances do not belong in household waste.

Your local administration will inform you about the addresses and opening hours of collection points. This is the only way to ensure that old appliances are disposed of and recycled properly. Thank you very much!

Illustrations in this manual may differ from the original article.

Technical and design changes, errors and misprints reserved.

Made in P.R.C for:

SARO Gastro-Products GmbH

Sandbahn 6, 46446
Emmerich am Rhein,
Germany

Tel. +49(0)28229258-0

Fax +49(0)2822 18192

E-Mail: info@saro.de